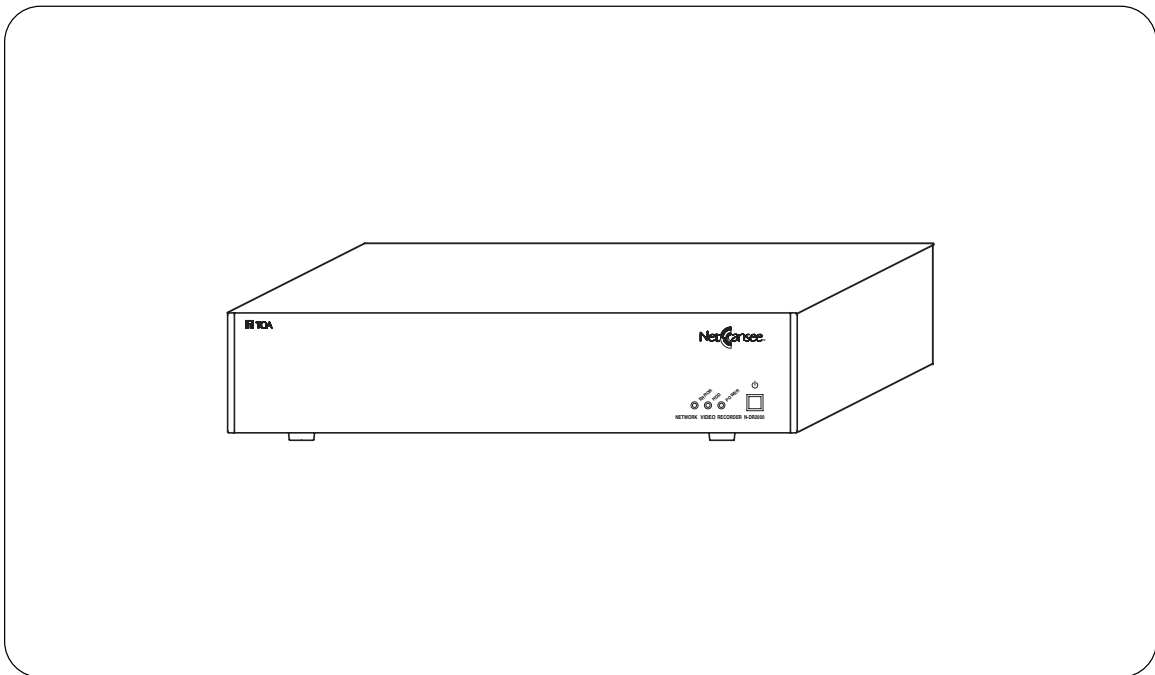




INSTRUCTION MANUAL

# NETWORK VIDEO RECORDER N-DR2000



Thank you for purchasing TOA's Network Video Recorder. Please carefully follow the instructions in this manual to ensure long, trouble-free use of your equipment.

TOA Corporation

## TABLE OF CONTENTS

<b>1. SAFETY PRECAUTIONS</b> .....	3
<b>2. LIST OF INCLUDED COMPONENTS AND PARTS</b> .....	5
<b>3. GENERAL DESCRIPTION</b> .....	5
<b>4. FEATURES</b> .....	5
<b>5. SOFTWARE LICENSE</b> .....	5
<b>6. HANDLING PRECAUTIONS</b> .....	6
<b>7. NOMENCLATURE AND FUNCTIONS</b> .....	7
<b>8. CONNECTIONS</b> .....	8
<b>9. NETWORK VIDEO RECORDER ACTIVATION AND TERMINATION</b>	
9.1. Recorder's Activation .....	8
9.2. Recorder's Termination .....	8
<b>10. FUNCTIONS</b>	
10.1. Device Functions .....	9
10.2. Recording .....	9
10.2.1. Recording conditions .....	10
10.2.2. Recording function priorities .....	10
10.2.3. Using multiple N-DR2000s .....	11
10.2.4. Recording loopback audio .....	11
10.2.5. 1000BASE-T .....	11
10.3. Search and Playback Using the N-SD2000 Software Decoder .....	11
10.4. Making Settings Using a Web Browser .....	12
10.5. General Overview of N-DR2000 Settings .....	12
10.5.1. Recording settings .....	12
10.5.2. Playback settings .....	12
10.6. Email Malfunction Alert .....	12
10.7. Time Adjustment .....	12
10.8. Retrieving the Recoded Video Images to a PC (Export function) .....	12
<b>11. OPERATION GUIDE LISTED BY OBJECTIVE</b> .....	13
<b>12. RECORDING TIME LIST</b> .....	14
<b>13. RACK MOUNTING</b> .....	16
<b>14. TROUBLESHOOTING</b> .....	17
<b>15. SPECIFICATIONS</b> .....	19
System Requirements (for N-SD2000 Software decoder) .....	20

# 1. SAFETY PRECAUTIONS

- Before installation or use, be sure to carefully read all the instructions in this section for correct and safe operation.
- Make sure to observe the instructions in this manual as the conventions of safety symbols and messages regarded as very important precautions are included.
- We also recommend you keep this instruction manual handy for future reference.

## Safety Symbol and Message Conventions

Safety symbols and messages described below are used in this manual to prevent bodily injury and property damage which could result from mishandling. Before operating your product, read this manual first and understand the safety symbols and messages so you are thoroughly aware of the potential safety hazards.



### WARNING

Do not expose the unit to rain or an environment where it may be splashed by water or other liquids, as doing so may result in fire or electric shock.



### WARNING

Indicates a potentially hazardous situation which, if mishandled, could result in death or serious personal injury.

### When Installing the Unit

- This is a class A product. In a domestic environment this product may cause radio interference in which case the user may be required to take adequate measures.
- Use the unit only with the voltage specified on the unit. Using a voltage higher than that which is specified may result in fire or electric shock.
- Do not cut, kink, otherwise damage nor modify the power supply cord. In addition, avoid using the power cord in close proximity to heaters, and never place heavy objects -- including the unit itself -- on the power cord, as doing so may result in fire or electric shock.
- Avoid installing or mounting the unit in unstable locations, such as on a rickety table or a slanted surface. Doing so may result in the unit falling down and causing personal injury and/or property damage.

### When the Unit is in Use

- If any of the following irregularities occurs, immediately switch off the power, disconnect the power supply plug from the AC outlet and inform the shop from where the unit was purchased. Further using the unit may result in fire or electric shock.
  - If you detect smoke or a strange smell coming from the unit
  - If water or any metallic object gets into the unit
  - If the unit falls, or the unit case breaks
  - If the power supply cord is damaged (exposure of the core, disconnection, etc.)
  - If no image appears
- To prevent a fire or electric shock, never open the unit case nor modify the unit as there are high voltage components inside the unit. Refer all servicing to your nearest TOA dealer.
- Do not place cups, bowls, or other containers of liquid or metallic objects on top of the unit. If they accidentally spill into the unit, this may cause a fire or electric shock.
- Do not insert nor drop metallic objects or flammable materials in the ventilation slots of the unit's cover, as this may result in fire or electric shock.
- Do not touch the power supply plug or control line during thunder and lightning, as this may result in electric shock.



## **CAUTION**

Indicates a potentially hazardous situation which, if mishandled, could result in moderate or minor personal injury, and/or property damage.

### **When Installing the Unit**

- Never plug in nor remove the power supply plug with wet hands, as doing so may cause electric shock.
- When unplugging the power supply cord, be sure to grasp the power supply plug; never pull on the cord itself. Operating the unit with a damaged power supply cord may cause a fire or electric shock. When removing the power cord, be sure to hold its plug to pull.
- When moving the unit, be sure to remove its power supply cord from the wall outlet. Moving the unit with the power supply cord connected to the outlet may cause damage to the power supply cord, resulting in fire or electric shock.
- Do not block the ventilation slots in the unit's cover. Doing so may cause heat to build up inside the unit and result in fire.
- Avoid installing the unit in humid or dusty locations, in locations exposed to the direct sunlight, near the heaters, or in locations generating sooty smoke or steam as doing otherwise may result in fire or electric shock.
- Do not connect a network terminal exposed to excessive voltage to the 100BASE-TX terminal, Hard disk expansion unit connection terminal or Remote control I/O terminal A, as doing so may result in fire or electric shock.

### **When the Unit is in Use**

- Do not place heavy objects on the unit as this may cause it to fall or break which may result in personal injury and/or property damage. In addition, the object itself may fall off and cause injury and/or damage.
- Clean the unit periodically. Contact your TOA dealer regarding the cleaning. If dust is allowed to accumulate in the unit over a long period of time, a fire may result.
- If dust accumulates on the power supply plug or in the wall AC outlet, a fire may result. Clean it periodically. In addition, insert the plug in the wall outlet securely.
- Switch off the power, and disconnect the power supply plug from the AC outlet when cleaning or leaving the unit unused for long periods of time. Doing otherwise may cause a fire or electric shock.

CU version complies with Part 15 of the FCC Rules.

#### **Note**

This equipment has been tested and found to comply with the limits for a Class A digital device, pursuant to Part 15 of the FCC Rules. These limits are designed to provide reasonable protection against harmful interference when the equipment is operated in a commercial environment. This equipment generates, uses, and can radiate radio frequency energy and, if not installed and used in accordance with the instruction manual, may cause harmful interference to radio communications. Operation of this equipment in a residential area is likely to cause harmful interference in which case the user will be required to correct the interference at his own expense.

#### **Modifications**

Any modifications made to this device that are not approved by TOA Corporation may void the authority granted to the user by the FCC to operate this equipment.

## 2. LIST OF INCLUDED COMPONENTS AND PARTS

Check to be sure that the following components and parts are contained in the package:

Power supply cord (2 m) .....	1
Network Video Recorder Instruction manual .....	1
CD-ROM (Update disk) .....	1

### Note

The CD-ROM contains the updater for the N-SD2000 Software Decoder and the most recent firmware for each device.

## 3. GENERAL DESCRIPTION

The N-DR2000 Network Video Recorder allows images and audio digital signals originating from network cameras and network video transmitters connected to a LAN to be recorded to a hard disk drive.

Because the digital signals produced by such equipment are stored as is, they can be played back with high clarity and quality.

It is possible to record images from up to 16 network cameras or network video transmitters at once, and to record and play back up to eight images simultaneously.

With the use of a N-SD2000 software decoder, images stored on the network video recorder can also be searched, retrieved, and played back.

The system also uses an NTP server function to synchronize the time throughout the system.

## 4. FEATURES

- Allows images (and audio) from network cameras/video transmitters, as well as event data, to be recorded, distributed, and stored over a network.
- The recorder can have its settings adjusted over the network using a PC equipped with standard Web browser software (such as Internet Explorer).
- An NTP server function can be used to synchronize the time throughout the system automatically.
- If the recorder malfunctions, an email notification can be sent to a pre-set email address to make the administrator aware of the problem.

## 5. SOFTWARE LICENSE

This product uses software licensed under GNU General Public Licenses (GPL) and other forms of open source software licensing.

### • GNU General Public Licenses (GPLs)

Information on the Web regarding GNU General Public Licenses can be found at <http://www.gnu.org>.

### • Extent of Warranty & Applicable Responsibilities

TOA does not guarantee the functioning of open source software covered under the conditions and provisions of GPLs, etc., but does guarantee the function of items manufactured by the company itself.

### • Information on Individual Open Source Software Products

Please contact TOA for more information on the open source software modules and their source codes used in this product.

## 6. HANDLING PRECAUTIONS

- The supplied power supply cord is designed for exclusive use with the Recorder. Never use it with other equipment.
- It is recommended that the Recorder be always used in locations where the ambient temperature ranges from 0°C to +40°C and humidity levels of less than 80% to ensure that no condensation is formed.
- When moving or installing the Recorder, be absolutely sure to do so when the LED power indicator is extinguished. If the LED power indicator is illuminated, follow the procedures for "Network Video Recorder Activation and Termination," then wait at least 30 seconds before continuing with the movement or installment.
- Avoid moving the Recorder suddenly from a cold location to a warm location, or installing it in close proximity to an air-conditioner outlet, as internal condensation could result. When condensation occurs, do not switch on the power until the Recorder has sufficiently dried.
- Avoid installing the Recorder in humid or dusty locations, or in locations exposed to direct sunlight, sooty smoke or steam. Note that even in locations which are not particularly dusty, dust may accumulate at the Recorder's ventilation slots. Because this could cause an extreme rise in temperature inside the Recorder, be sure to clean the ventilation slots periodically after switching off the power and disconnecting the power supply cord from the AC outlet. It is highly recommended that the ventilation slots be cleaned once a year.
- When cleaning the Recorder, be sure to turn the power switch to OFF. Wipe with a soft dry cloth. If it gets very dirty, use the soft cloth slightly moistened in neutral cleanser. Never use volatile spirits like thinner, benzine, or alcohol. Such chemicals may damage its plastic surface.
- Do not block the ventilation slots or cooling fan, which could cause the temperature inside the Recorder to rise, possibly resulting in unit failure. Install the Recorder at least 100 mm away from the nearest wall surface.
- Since the Recorder is equipped with a cooling fan, a motor sound is generated.
- Do not install the Recorder in locations influenced by strong electrical or magnetic fields, as monitor screen pictures may become distorted or the Recorder could fail.
- This Recorder is designed for use exclusively in commercial and industrial applications. General household use may result in signal interference from radios, televisions, and similar electronic devices.
- Avoid jarring or striking the Recorder. The Recorder is a piece of precision equipment and accidentally dropping it or subjecting it to strong impacts could cause its failure. When transporting the Recorder, carefully pack it in the supplied carton to protect it from shock.
- Do not use this Recorder in areas where there are vibrations, as these may cause damage to the delicate precision mechanisms within.
- Avoid installing the Recorder vertically or tilting it at extreme angles, since it is designed to be used in a horizontal position only.
- About a hard disk  
Hard disks other than those specified by TOA cannot be used. Since the hard disks are pieces of precision equipment, take special care in handling not to accidentally drop, bump or jar them, lest they should fail. If a hard disk on which condensation is formed is used, it could fail. Therefore, when brought into a warm room from the cold outdoors, be sure to leave it unused for at least half a day before using it. If the hard disk fails, recorded data cannot be restored.
- TOA takes no responsibility for any incidental damage, such as loss of sales opportunities, that may result.
- Using this Recorder with an unstable electrical power supply may cause malfunctions or mistaken operations. If the power supply is unstable, it is recommended to connect the Recorder to that power supply using an uninterruptible power supply (UPS).
- Recording may be interrupted if a network failure such as packet loss occurs.

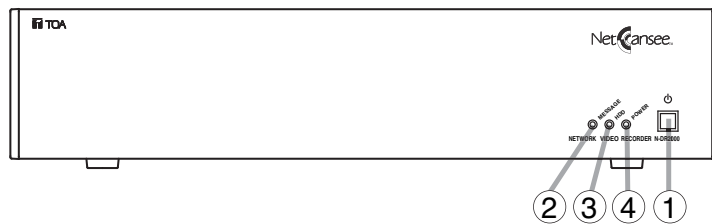
• **MPEG-4 visual patent portfolio license**

THIS PRODUCT IS LICENSED UNDER THE MPEG-4 VISUAL PATENT PORTFOLIO LICENSE FOR THE PERSONAL AND NON-COMMERCIAL USE OF A CONSUMER FOR (1) ENCODING VIDEO IN COMPLIANCE WITH THE MPEG-4 VISUAL STANDARD (“MPEG-4 VIDEO”)AND/OR (2) DECODING MPEG-4 VIDEO THAT WAS ENCODED BY A CONSUMER ENGAGED IN A PERSONAL AND NON-COMMERCIAL ACTIVITY AND/OR WAS OBTAINED FROM A VIDEO PROVIDER LICENSE BY MPEG LA TO PROVIDE MPEG-4 VIDEO. NO LICENSE IS GRANTED OR SHALL BE IMPLIED FOR ANY OTHER USE. ADDITIONAL INFORMATION INCLUDING THAT RELATING TO PROMOTIONAL, INTERNAL AND COMMERCIAL USES AND LICENSING MAY BE OBTAINED FROM MPEG LA,LLC.

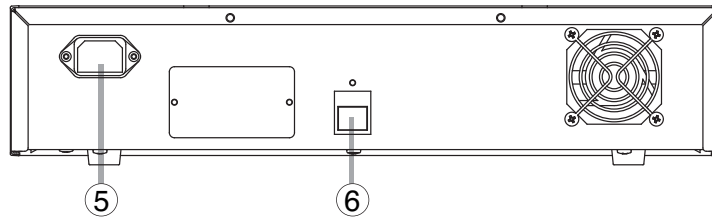
SEE [HTTP://WWW.MPEGLA.COM](http://WWW.MPEGLA.COM).

## 7. NOMENCLATURE AND FUNCTIONS

[ Front ]



[ Rear ]



**(1) Power switch**

Press this switch to turn on the power. To turn off the power, press this switch again.

After powering up : The system starts after about 1 minute.

After powering down: The system shuts down after about 30 seconds

**(2) Message Indicator (Red)**

Flashes or illuminates to indicate the action of internal protection circuits.

Illuminated: Turn off the power supply to the device for a short time. When the power is turned on again, the light should flash.

Flashing : Press the power switch on the front panel to start the device.

**(3) HDD access Indicator (Yellow)**

LED flashes when the hard disk drive is being accessed.

**Note**

When the system is started up, it performs a check on the hard disk drive which may take several minutes. During this time, the HDD ACCESS LED will illuminate.

**(4) Power Indicator (Green)**

Flashes when the power is switched on.

**(5) AC inlet**

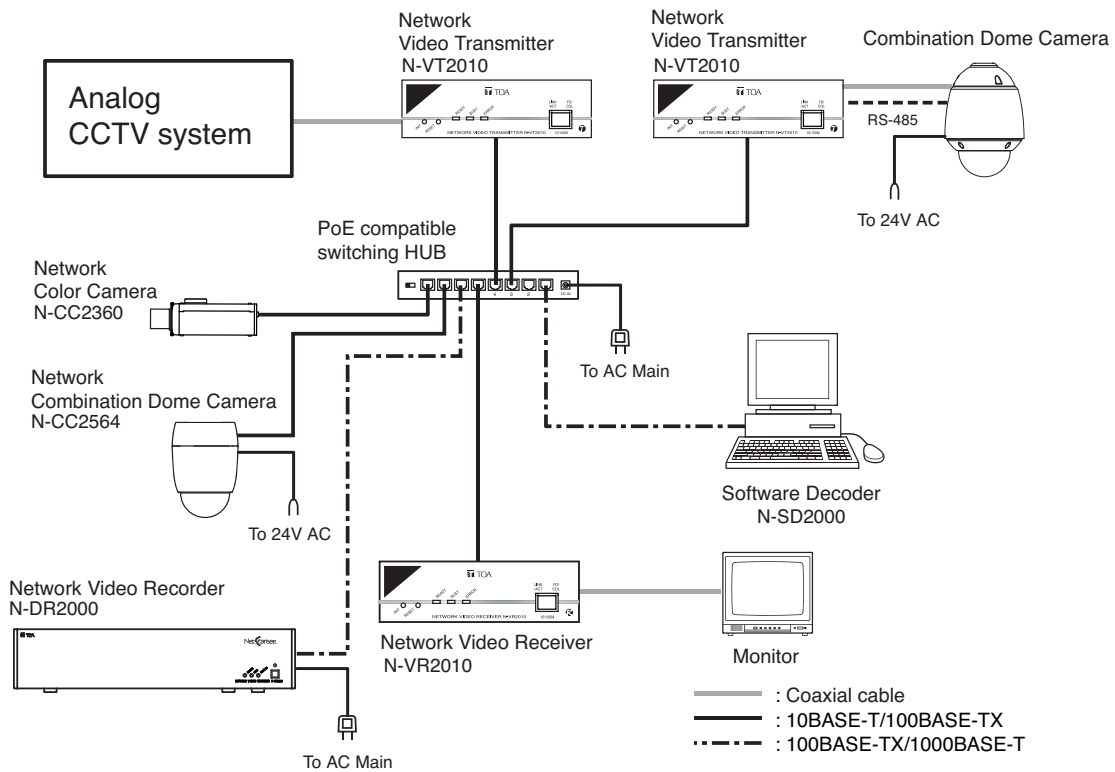
Connect the supplied power cord to this receptacle.

**(6) LAN 100BASE-TX/1000BASE-T**

Connect the LAN cable.

## 8. CONNECTIONS

[ Connection example ]



## 9. NETWORK VIDEO RECORDER ACTIVATION AND TERMINATION

### 9.1. Recorder's Activation

1. Connect each component correctly.
2. Press the power switch.  
The system activates approximately 1 minute after the power has been switched on. The power automatically switches on with the power cord is connected.

### 9.2. Recorder's Termination

Press the power switch.  
The system terminates approximately 30 second after the power has been switched off.

#### Note

It is possible to turn the device off even in the middle of a Normal Recording operation.  
Even if the system is then restarted, the recording will continue after the restart.



## 10. FUNCTIONS

### 10.1. Device Functions

The device is equipped with the following functions.

- Recording (Normal Recording, Pre-Alarm Recording, Alarm Recording, Scheduled Recording)
- Search and playback using the N-SD2000 Software Decoder
- Setting adjustment using a Web browser
- Email notification in the event of malfunction
- Time adjustment and synchronization

### 10.2. Recording

The device offers the following four types of recording functions.

#### [ Normal Recording ]

Records normal images and audio from designated equipment including the network camera/video transmitter. Refer to the Setting Manual (Chapter3) for more information.

#### [ Pre-Alarm Recording ]

Pre-Alarm Recording records images and audio transmitted up to five minutes before an alarm was triggered.

#### Note

The Pre-Alarm recording setting takes precedence over both Normal and Scheduled recording. Video images from the network camera/video transmitter set for pre-alarm recording cannot be recorded will not record in the Normal or Scheduled recording modes even if they are set to do so.

#### [ Alarm Recording ]

The network camera/video transmitter are all equipped with contact input and motion detection-based alarm functions. When set to Alarm recording, the images from these can be recorded on the N-DR2000 whenever an alarm occurs. The specific recording conditions for Alarm recording are set on the network camera/video transmitter respectively.

##### • Alarm priority

If multiple alarm activations are duplicated in the system comprising of a single network camera and a video transmitter, these alarm priority levels determine the recording conditions such as which N-DR2000 to record the video images, and video and audio parameters. Two levels of alarm priority are available, Levels 1 (high) and 2 (low). When Level 1 alarms are duplicated, the recording is made on a first-in-first-out basis, while if Level 2 alarms are duplicated, it is made on last-in-first-out basis.

Set the alarm priority using the network camera or the video transmitter.

##### • Connection type and recording time

Two connection types are available for the Contact-in alarm recording, single-edge and double-edge. For the single-edge Contact-in alarm recording or motion-detected alarm recording, alarm recording time can be set in the range of 1 to 120 minutes with the N-DR2000's edge-alarm recording setting.

For the double-edge Contact-in alarm recording, recording continues until the Contact-in becomes off state.

Connection type can be set using the network camera or the video transmitter.

Refer to the Setting Manual (Chapter3) for more information.

#### Note

Since the device performs alarm recording via the network, it may take several seconds to start recording after an alarm has been detected.

#### [ Scheduled Recording ]

The device can be set to record images and audio from the network camera/video transmitter at a pre-established time. Images and audio from the Multiple network cameras/video transmitters can be set in a single program. Refer to the Setting Manual (Chapter6) for more information.

### 10.2.1. Recording conditions

This device is equipped with a variety of recording functions. These can be set individually to use specific recording conditions. For example, Normal recording can be set to record at 1 frame per second (fps), while Scheduled recording records at 5 frames per second. For each recording function, the following settings are available.

#### Frame Rate

Recording can proceed at a maximum speed of five frames per second (1, 2, 3 or 5 fps). The higher the frame rate setting, the more hard disk drive space will be required to store the resulting recordings, thus shortening total available recording time.

#### Picture Quality

Five levels (1–5) of picture quality are available, with "1" being the highest quality. Higher quality images require more hard disk drive space to store, and thus reduce total available recording time.

#### Size

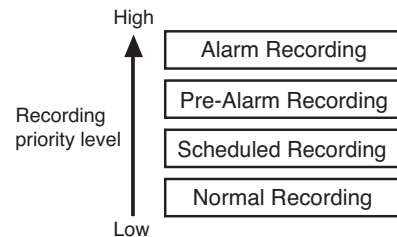
Three levels of image size are available. Select from High:D1, Medium:Half D1 or Low:QVGA (CU)/ CIF (PL). Larger images require more hard disk drive space to store, and thus reduce total available recording time.

#### Audio

Audio recording can be turned On or Off. The audio compression format is set on the network camera/video transmitter. With the N-SD2000, audio recording is available for all recording modes. Also, by making settings to the network camera/video transmitter, it is possible to perform loopback recording.

### 10.2.2. Recording function priorities

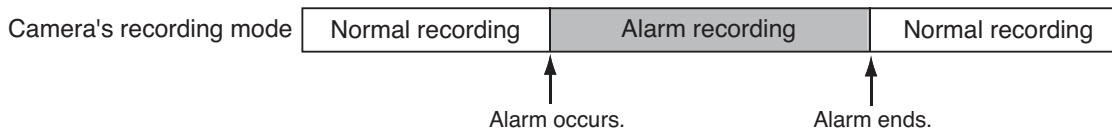
This device uses different types of recording programs to control recording priorities.



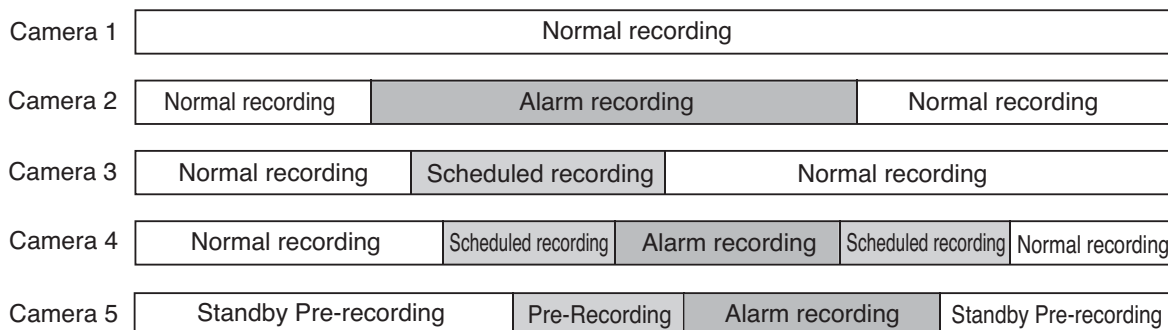
(Example)

If an alarm occurs for a camera in Normal Recording mode...

Since Alarm recording has a higher priority than Normal recording, the device switches to Alarm recording, then reverts to Normal recording once the Alarm recording has finished.



The network camera/video transmitter all have their own independent priority control. For example, if Camera 1 is in Normal recording and an alarm causes Camera 2 to shift to Alarm recording, the Normal recording by Camera 1 continues unaffected.



#### Note

A blank duration (unrecorded interval) occurs when a recording mode is switched to another. The lower frame rate may cause the blank duration to be several seconds.

### 10.2.3. Using multiple N-DR2000s

It is not possible to record from the network camera/video transmitter to two or more N-DR2000s simultaneously. However, if one N-DR2000 is set to execute Normal recording and another N-DR2000 is set for Alarm recording, then according to priority control the Alarm recording will take precedence. In the event of an alarm, the second N-DR2000 will begin Alarm recording and the first N-DR2000 will stop Normal recording until Alarm recording is finished.

### 10.2.4. Recording loopback audio

The N-DR2000 may be used to record audio from a device connected to the network camera/video transmitter. This function allows conversations with the N-VR2010 and N-SD2000 to be recorded.

### 10.2.5. 100BASE-T

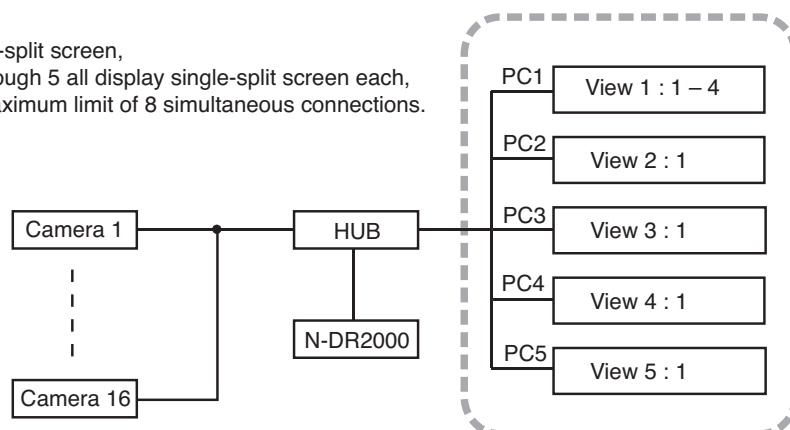
Depending on recording conditions, transmission using the lower 100BASE-TX standard may cause frame loss or audio skipping. If this happens, it may be necessary to connect the N-DR2000 to the port of a hub supporting 100BASE-T switching.

## 10.3. Search and Playback Using the N-SD2000 Software Decoder

Video and audio recorded on the N-DR2000 can be searched and played back using the N-SD2000 Software Decoder. The N-SD2000 Software Decoder can search for events, and also filter these according to more specific criteria to narrow down the choices. Up to 8 pieces of recorded video and audio can be played back simultaneously on the N-SD2000 Software Decoder. It is also possible to perform recording and playback at the same time. Both the playback speed and playback direction can be designated for the recorded video. Refer to the instruction manual of the N-SD2000 Software Decoder for more information.

(Example)

PC 1 displays 4-split screen,  
while PCs 2 through 5 all display single-split screen each,  
reaching the maximum limit of 8 simultaneous connections.



Allows playback of up to 8 views simultaneously.

### Notes

- Recordings can be played back on different PCs.
- Up to four views can be displayed on a single PC.

## 10.4. Making Settings Using a Web Browser

The N-DR2000 is equipped with its own Web server function. You can access this server via Web browser software in order to change the N-DR2000's status displays and various settings, and also to conduct maintenance.

## 10.5. General Overview of N-DR2000 Settings

A Web browser can be used to perform the N-DR2000's various settings.

### 10.5.1. Recording settings

1. Use the Web browser to set the N-DR2000's network parameters, time, and hard disk drive overwrite mode. IP addresses are also settable using the N-SD2000 software decoder. Refer to the N-SD2000 software decoder instruction manual for more information.
  - For IP address, subnet mask, and default gateway settings, Refer to Setting Manual (Chapter6).
  - For hard disk drive overwrite mode settings, Refer to Setting Manual (Chapter6).
2. Register the network camera/video transmitter units from which the N-DR2000 is to record. For IP address and name settings, Refer to Setting Manual (Chapter6).
3. Set the various recording functions to be used for each network camera/video transmitter. For Normal recording, Pre-Alarm recording, and Scheduled recording settings.

To use Alarm recording, the network camera/video transmitter must be set to do so. These settings can be made for each unit in the same way as the N-DR2000, via a Web browser. Refer to the Setting Manual (Chapter3) for more information.

### 10.5.2. Playback settings

Use the N-SD2000 software decoder to register the N-DR2000.

In the N-DR2000 Connection Parameter Settings, match the SIP password with the administrator password set in the N-DR2000 System Settings. Refer to the N-SD2000 software decoder instruction manual for more information.

## 10.6. Email Malfunction Alert

The email malfunction alert function automatically sends an email notification about abnormal N-DR2000 operating conditions, including rising internal temperature, abnormal fan rotation, and hard disk drive errors.

## 10.7. Time Adjustment

The N-DR2000's internal NTP server can be made to access an external NTP server in order to adjust its own internal clock. Also, by setting the NTP servers of the network camera, video transmitter, and video receiver, these devices can also be made to adjust their internal clocks. Refer to the instruction manuals for each device for details.

## 10.8. Retrieving the Recorded Video Images to a PC (Export function)

Video images recorded on the N-SD2000 can be retrieved to a PC via a network. (Export function) The N-SD2000 Software Decoder can convert up to 10-minute video images to ASF format data and save them to a PC.

**Note:** Audio signals cannot be retrieved.

## 11. OPERATION GUIDE LISTED BY OBJECTIVE

Item	Description	Reference
Always record video and audio.	Set the Normal recording mode.	Setting Manual (Chapter6)
Make regularly scheduled recordings at pre-set times.	By setting Scheduled recording, the recording occurs only at the specified times.	Setting Manual (Chapter6)
Want to always record images from a network camera, but at certain times only change the recording conditions.	By setting both Normal recording and Timer recording, it is possible to have Scheduled recording take place only at specified times and using particular recording conditions set for Timer recording.	Setting Manual (Chapter6)
Use Alarm recording.	Alarm recording can be set for network cameras and video transmitters.	Setting Manual (Chapter3)
Record images only when an alarm has occurred.	If neither Normal recording nor Scheduled recording are set, then a setting on the network camera itself can be used to execute only Alarm recording.	Setting Manual (Chapter3)
Want to always record images from a network camera, but also change the recording conditions used for Alarm recording.	When an alarm occurs for a network camera that is operating in Normal recording mode, the mode switches to Alarm recording automatically. Refer to the instruction manuals for such devices for details.	Setting Manual (Chapter3, 6)
Use Pre-Alarm recording.	Pre-Alarm recording records the images and audio that occurred in the five minutes prior to the commencement of an Alarm recording. <b>Note:</b> Pre-Alarm recording takes priority over Timer recording. Video images from the network camera/video transmitter set for Pre-Alarm recording can not be recorded even if set for other modes such as Timer recording.	Setting Manual (Chapter6)
Want to search among recorded image segments.	It is possible to search the recordings made by the N-DR2000 using the N-SD2000 (software decoder). Criteria for narrowing the found data can use time specification and a variety of other filtering methods. Refer to the N-SD2000 instruction manual for more details on search execution and filtering.	N-SD2000 Instruction Manual
Want to play back recorded images and audio.	Use the N-SD2000 to drag and drop the found recording content into the View window to initiate playback. Playback options include normal playback, reverse playback, fast-forward or fast-reverse playback, and playback pause. Refer to the N-SD2000 instruction manual for more details on search execution and filtering.	N-SD2000 Instruction Manual
Retrieving the recoded video images to a PC.	Recording content being played back by the N-SD2000 can be converted into ".asf" files containing up to ten minutes of image. Such files created using the N-DR2000 can be played using Windows Media Player or equivalent software. Refer to the N-SD2000 instruction manual for more details on creating files for storage. <b>Note:</b> Audio signals cannot be retrieved.	N-SD2000 Instruction Manual

## 12. RECORDING TIME LIST

Chart shows approximate recording times for each camera assuming 16 cameras or video transmitters are in use.

● Audio recording: None (\*1)

Unit: Hour

Image size	Picture quality	Frame rate per camera			
		1 fps	2 fps	3 fps	5 fps
High: D1	1	129	64	43	25
High: D1	3	186	93	62	37
High: D1	5	337	168	112	67
Medium: Half-D1	1	192	96	64	38
Medium: Half-D1	3	276	138	92	55
Medium: Half-D1	5	493	246	164	98
Low: QVGA	1	364	182	121	72
Low: QVGA	3	521	260	173	104
Low: QVGA	5	958	479	319	191

● Audio recording: 32 K Compression: OFF (\*1)

Unit: Hour

Image size	Picture quality	Frame rate per camera			
		1 fps	2 fps	3 fps	5 fps
High: D1	1	68	44	33	21
High: D1	3	81	56	43	29
High: D1	5	101	78	63	46
Medium: Half-D1	1	83	58	44	30
Medium: Half-D1	3	95	70	56	40
Medium: Half-D1	5	112	91	77	58
Low: QVGA	1	104	81	66	48
Low: QVGA	3	114	93	79	60
Low: QVGA	5	126	111	100	82

● Audio recording: 32 K Compression: ON (\*1)

Unit: Hour

Image size	Picture quality	Frame rate per camera			
		1 fps	2 fps	3 fps	5 fps
High: D1	1	104	57	39	24
High: D1	3	138	79	55	34
High: D1	5	208	128	93	60
Medium: Half-D1	1	142	81	57	36
Medium: Half-D1	3	183	110	78	50
Medium: Half-D1	5	258	169	126	83
Low: QVGA	1	218	136	99	64
Low: QVGA	3	266	176	131	87
Low: QVGA	5	346	254	201	141

● Audio recording: 8 K Compression: ON (\*1)

Unit: Hour

Image size	Picture quality	Frame rate per camera			
		1 fps	2 fps	3 fps	5 fps
High: D1	1	119	62	41	25
High: D1	3	166	87	59	36
High: D1	5	275	151	104	64
Medium: Half-D1	1	170	90	61	37
Medium: Half-D1	3	233	110	86	53
Medium: Half-D1	5	371	212	148	92
Low: QVGA	1	293	162	112	69
Low: QVGA	3	387	222	155	97
Low: QVGA	5	585	363	263	170

● Audio recording: 32 K Compression: OFF Loopback (\*1)

Unit: Hour

Image size	Picture quality	Frame rate per camera			
		1 fps	2 fps	3 fps	5 fps
High: D1	1	46	34	27	19
High: D1	3	52	40	33	24
High: D1	5	60	50	44	35
Medium: Half-D1	1	52	41	34	25
Medium: Half-D1	3	57	47	40	31
Medium: Half-D1	5	63	56	50	41
Low: QVGA	1	60	52	45	36
Low: QVGA	3	64	57	51	42
Low: QVGA	5	67	63	59	52

● Audio recording: 32 K Compression: ON Loopback (\*1)

Unit: Hour

Image size	Picture quality	Frame rate per camera			
		1 fps	2 fps	3 fps	5 fps
High: D1	1	87	52	37	23
High: D1	3	110	69	50	32
High: D1	5	150	104	79	54
Medium: Half-D1	1	112	71	51	33
Medium: Half-D1	3	136	91	68	45
Medium: Half-D1	5	175	129	102	72
Low: QVGA	1	155	109	83	57
Low: QVGA	3	178	133	105	75
Low: QVGA	5	211	173	146	112

● Audio recording: 8 K Compression: ON Loopback (\*1)

Unit: Hour

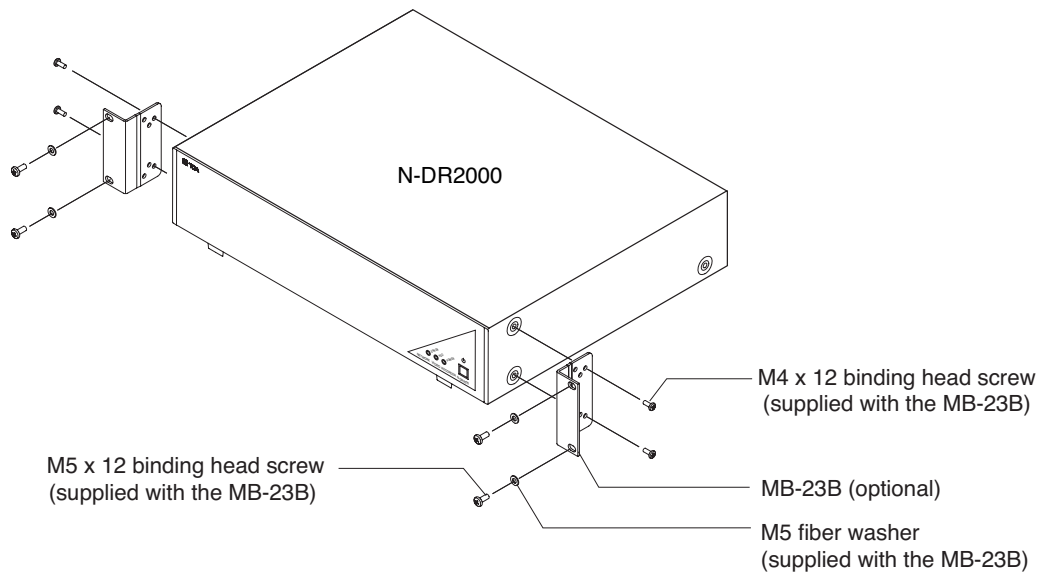
Image size	Picture quality	Frame rate per camera			
		1 fps	2 fps	3 fps	5 fps
High: D1	1	110	59	40	25
High: D1	3	149	83	57	35
High: D1	5	233	137	97	61
Medium: Half-D1	1	153	85	59	36
Medium: Half-D1	3	202	116	82	51
Medium: Half-D1	5	298	185	135	87
Low: QVGA	1	245	146	104	66
Low: QVGA	3	307	193	141	91
Low: QVGA	5	421	292	224	152

- Depending on recording conditions, actual available recording times may be shorter than those listed in this chart.
- Using the N-DR2000, it is possible to conduct a variety of recording condition settings for the recorded content of each individual camera. These conditions may change the available recording time.
- Recording times listed in the table are for reference only.
- Loopback refers to audio input from the device connected to the network camera/video transmitter. The N-DR2000 can also record audio transmitted from the network camera/video transmitter. Refer to the settings manual for more information on loopback settings.

(\*1) CU version

## 13. RACK MOUNTING

Use the optional MB-23B Rack Mounting Bracket when mounting the Network Video Recorder in an equipment rack. Remove 4 rubber feet on the bottom surface by loosening their respective fixing screws with a standard screwdriver.



### Notes

- Use the Network Video Recorder in locations with ambient temperature of between 0°C and +40°C.
- Be sure to mount the Network Video Recorder below the heat generating components, and mount the perforated panel between the Recorder and such a heat generating component as required.
- The Network Video Recorder has a built-in cooling fan. Never block the Recorder's ventilation slot.
- Avoid installing the Network Video Recorder in locations exposed to vibration.

- a) Elevated Operating Ambient Temperature - If installed in a closed or multi-unit rack assembly, the operating ambient temperature of the rack environment may be greater than room ambient. Therefore, consideration should be given to installing the equipment in an environment compatible with the manufacturer's maximum rated ambient temperature (T<sub>mra</sub>).
- b) Reduced Air Flow - Installation of the equipment in a rack should be such that the amount of air flow required for safe operation of the equipment is not compromised.
- c) Mechanical Loading - Mounting of the equipment in the rack should be such that a hazardous condition is not achieved due to uneven mechanical loading.
- d) Circuit Overloading - Consideration should be given to the connection of the equipment to the supply circuit and the effect that overloading of circuits might have on overcurrent protection and supply wiring. Appropriate consideration of equipment nameplate ratings should be used when addressing this concern.
- e) Reliable Earthing - Reliable earthing of rack-mounted equipment should be maintained. Particular attention should be given to supply connections other than direct connections to the branch circuit (e.g., use of power strips).



## 14. TROUBLESHOOTING

Problem	Possible Solution
Power won't turn on.	Check to make sure the power cord is plugged in to both the unit and the wall socket.
Unit won't turn off even after pressing the power switch.	The power indicator LED takes about 30 seconds to extinguish after the power switch is pressed. Wait 30 seconds or so to see if the light goes off.
Can't access the unit using a Web browser.	Check to ensure that the unit is correctly connected to the network.
	Check the unit's network settings.
	Check whether the correct address was entered into the browser's address window. Check the user name and password used to access the unit using the browser. The factory defaults for these are "admin" for the user name and "guest" for the password.
Scanning does not find the Network Digital Recorder on the network.	If the IP address of the Network Video Recorder is the same as that of the PC, then the recorder cannot reply to the scan and therefore is not recognized. Set the recorder to have a different IP address than the PC.
Cannot make settings.	Some setting items are unavailable while the unit is in Recording or Standby Record mode. Stop the recording and enter the Recording not available mode in order to be able to make such settings.
Cannot search.	Check the "N-SD2000 connection parameters: SIP password." It is necessary for this password to match the N-DR2000 administrator password.
Cannot record.	Check to ensure that the network video transmitter and network camera are connected to the network correctly.
	Check to see if the N-DR2000 is in Recording not available mode. If it is, use the Web browser to access the window with the Record button and press this button to change the mode to allow recording.
	Check to see if the camera registration has been set properly.
	Check to see that the port number and SIP password in the camera preset settings match those set for the network video transmitter/network camera.
	Check to see if Alarm recording target and recording conditions, etc. have been set properly on the network video transmitter/network camera.
Cannot use Normal recording. Cannot use Pre-Alarm recording.	Check the Normal recording/Pre-Alarm recording settings.
Cannot use Scheduled recording.	Check the Scheduled recording settings. Check to make sure the time is set correctly.
Cannot use Alarm recording.	Check to make sure that the external signal is being input correctly to the contact inputs of the network video transmitter/network camera.
	Check to make sure that the recording settings of the device connected to the network video transmitter and network cameras are performed correctly.
Cannot record audio.	Check to make sure that the external audio source is correctly connected to the network video transmitter.
	Check to make sure that "Audio" for each recording setting is set to "On."

Problem	Possible Solution
The HDD ACCESS LED is illuminated.	Following a restart, an automatic disk check program will run automatically. Wait until this check is completed. If the lamp remains illuminated for more than 15 minutes, leave the power on and contact your nearest TOA dealer.
The MESSAGE LED is illuminated.	Disconnect and reconnect the main AC power supply. If the unit seems to not restart after reconnecting the power, press the power switch.
A hard disk access error message is displayed.	Displayed whenever a problem of reading or writing to the hard disk drive in the N-DR2000 has been detected. Check to make sure that the unit is not being subjected to vibrations or shocks, then press the Confirm button to dismiss the error message. If such hard disk access error messages occur frequently, the hard disk drive itself may be damaged. If this is the case, consult your nearest TOA dealer.
An internal temperature abnormality warning is displayed.	This warning is displayed if the internal temperature of the N-DR2000 rises inordinately beyond acceptable limits. Check the following: • Is the case fan on the back of the N-DR2000 functioning properly? • Is the N-DR2000 positioned so that its rear surface is too close to a wall or other obstruction?
A case fan malfunction warning is displayed.	This warning is displayed if the rotation speed of the N-DR2000's case fan drops inordinately low. Check to make sure there is nothing blocking the fan. If no obstruction is found and the fan continues to perform improperly, the fan itself may be malfunctioning. If this is the case, consult your nearest TOA dealer.
A CPU fan malfunction warning is displayed.	This warning is displayed if the rotation speed of the N-DR2000's CPU fan drops inordinately low. Consult your nearest TOA dealer.
A low battery warning is displayed.	This warning is displayed if the voltage of the N-DR2000's internal battery drops inordinately low. Consult your nearest TOA dealer to replace the battery.
Displaying the results of a recording search conducted using the N-SD2000 seems to take a long time.	It is normal for there to be a delay of up to 30 seconds when displaying the results of a recording search executed after a restart.
Recordings sometimes are interrupted or break up.	Factors including network conditions and malfunction detection functions can interrupt communications from the network camera/video transmitter. If the signal is interrupted in this way, recording is forced to stop and then start again, resulting in disconnected recordings.

## 15. SPECIFICATIONS

### [N-DR2000 CU]

Power Source	110 – 120 V AC, 50/60 Hz
Power Consumption	57 W (0.8 A)
Recording Storage	HDD S-ATA 640 GB (320 GB x 2)
<b>Network</b>	
Network I/F	100BASE-TX/1000BASE-T, Auto-Nego: RJ45 connector
Network Protocol	TCP, UDP, SIP, RTP, HTTP, SMTP, ARP, DNS, NTP
Frame Rate	Settable 1, 2, 3, 5 fps (Per Network Camera and Network Video Transmitter)
Recording Method	Video: JPEG Audio: sub-band ADPCM, PCM (non-compression)
Number of Simultaneous Recording	Up to 16 stations (Network Camera or Network Video Transmitter)
Recording Mode	Normal, Scheduled, Alarm, Pre-alarm
Image Quality	5 level adjustment
Resolution	D1 (720 x 480), Half D1 (720 x 240), QVGA (320 x 240): NTSC (depends on camera type)
Other Function	Alert notification via e-mail, Time synchronization, Operation log
Altitude	Under 3,000 m (10,000 ft) (relative to sea level)
Operating Temperature	0°C to + 40°C (32°F to 104°F)
Operating Humidity	20% to 80% RH (no condensation)
Finish	Case: Pre-coated steel plate, black
Dimensions	420 (W) x 88.7 (H) x 320.5 (D) mm (16.54" x 3.49" x 12.62") (Excluding the projection and the rubber feet.)
Weight	6.1 kg (13.45 lb)

**Note:** The design and specifications are subject to change without notice for improvement.

**[N-DR2000 PL]**

Power Source	220 – 240 V AC, 50/60 Hz
Power Consumption	57 W (0.8 A)
Recording Storage	HDD S-ATA 640 GB (320 GB x 2)
<b>Network</b>	
Network I/F	100BASE-TX/1000BASE-T, Auto-Nego: RJ45 connector
Network Protocol	TCP, UDP, SIP, RTP, HTTP, SMTP, ARP, DNS, NTP
Frame Rate	Settable 1, 2, 3, 5 fps (Per Network Camera and Network Video Transmitter)
Recording Method	Video: JPEG Audio: sub-band ADPCM, PCM (non-compression)
Number of Simultaneous Recording	Up to 16 stations (Network Camera or Network Video Transmitter)
Recording Mode	Normal, Scheduled, Alarm, Pre-alarm
Image Quality	5 level adjustment
Resolution	D1 (720 x 576), Half D1 (720 x 288), CIF (352 x 288): PAL (depends on camera type)
Other Function	Alert notification via e-mail, Time synchronization, Operation log
Altitude	Under 3,000 m (10,000 ft) (relative to sea level)
Operating Temperature	0°C to + 40°C (32°F to 104°F)
Operating Humidity	20% to 80% RH (no condensation)
Finish	Case: Pre-coated steel plate, black
Dimensions	420 (W) x 88.7 (H) x 320.5 (D) mm (16.54" x 3.49" x 12.62")
Weight	6.1 kg (13.45 lb)

**Note:** The design and specifications are subject to change without notice for improvement.

• **System Requirements (for N-SD2000 Software decoder)**

Personal Computer	PC /AT compatible
Main Specifications	CPU: Pentium 4, over 3 GHz Memory: Over 512 MB Display adapter: XGA (1024 x 768 pixels), Intel Chipset (Recommended) Usable on DirectX 9.0a or later Sound controller: Usable on DirectX 9.0a or later Network adapter: Over 100BASE-TX
OS	Windows XP Professional
Required Web Browser	Internet Explorer 6.0 or later

**Notes**

- The N-SD2000 Software Decoder is included with the Network Camera or Network Video Transmitter. If you need the N-SD2000 only, it is available as option.
- Pentium and Intel are trademark of Intel Corporation.
- Windows is a trademark of Microsoft Corporation.

• **Optional product**

Rack mounting bracket: MB-23B



TOA Corporation

URL: <http://www.toa.jp/>

133-22-049-8A